

# Programmable Speed Switch Module

# 1088408-01

## Programmable Speed Switch module for incremental encoders

- 4 programmable relays
- Compact and robust design
- IP 65 ingress protection



### Electrical specification

Power supply	9-30 Vdc
Polarity protected	Yes
Short circuit protected	Yes
Current consumption	60 mA at 24 Vdc (Max 200 mA)
Switching voltage / current	30 Vdc / Max 2 A
Switching hysteresis	10%
Switching speed range	Standstill – 6000 rpm
Number of switching speeds	4 (alternatively 3 + 1 alarm relay)
Supported encoder interface	Any 6 channel, HTL or HCHTL encoder
Max cable length to encoder	See encoder specification

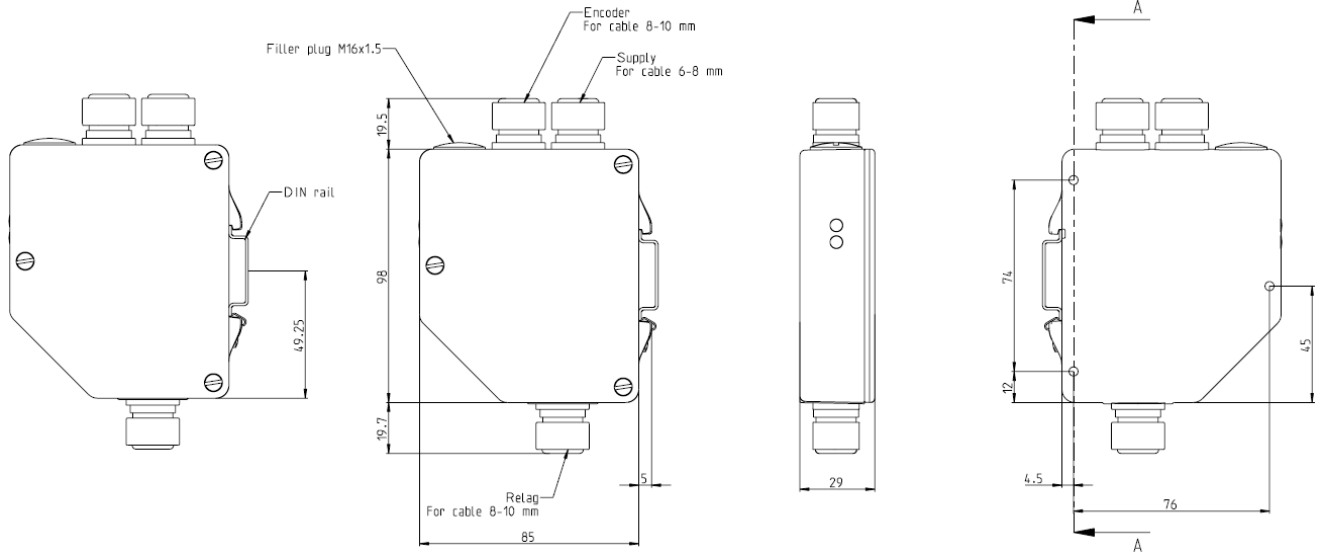
### Mechanical specification

Material housing	Aluminium
Weight	Appr. 400 g
Vibration (10-2000 Hz)	< 100 m/s <sup>2</sup> according to IEC 60068-2-6
Protection class	IP 65 according to IEC 60529
Temperature operating	-20 °C...+85 °C
Temperature storage	-20 °C...+85 °C
Connection	Cable gland 3 x M16
Programming interface	Mini – USB
Mechanical mounting	DIN – rail or screw

# Programmable Speed Switch Module

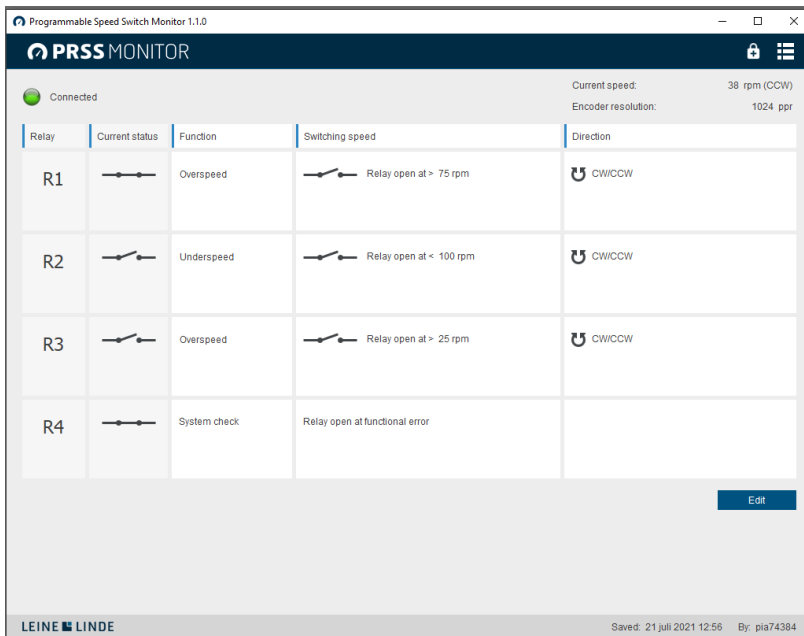
# 1088408-01

## Dimensions



## PC software

Relays R1-R4 can be programmed 0-6000 rpm  
 R4 can optional be set to System check and opens at functional error



**Overspeed:**  
 Relay opens when speed exceeds programmed limit

**Underspeed:**  
 Relay opens when speed goes below programmed limit

**Standstill:**  
 Underspeed in combination with 0 rpm  
 Relay closes at movement  
 Overspeed in combination with 0 rpm  
 Relay opens at movement

**Direction:**  
 In which direction the settings should be applied  
 Clockwise - CW  
 Counter clockwise - CCW  
 Both - CW / CCW

## Ordering information

Part number

1088408-01

07 December 2021. Specifications can be changed without prior notice.